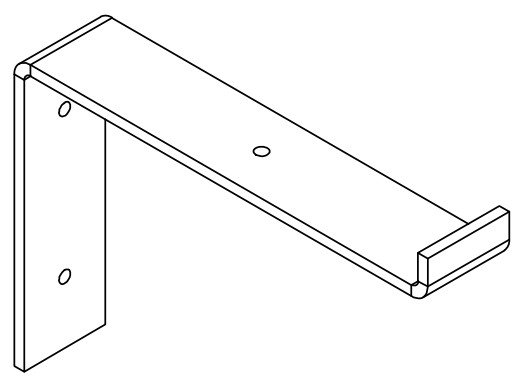
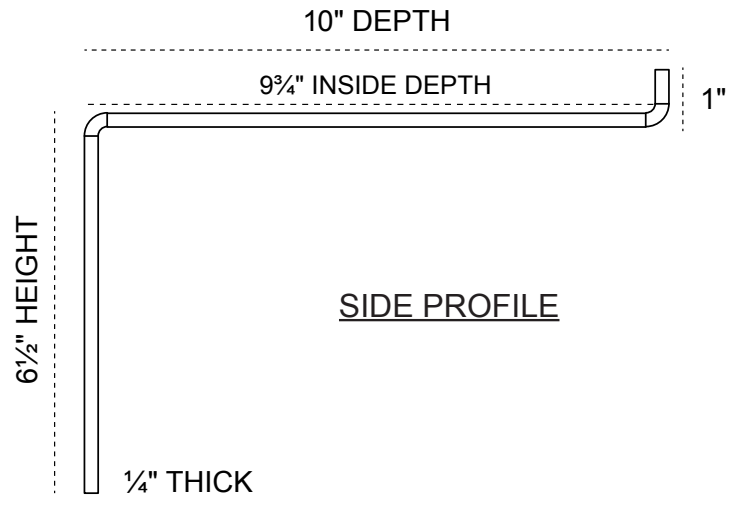
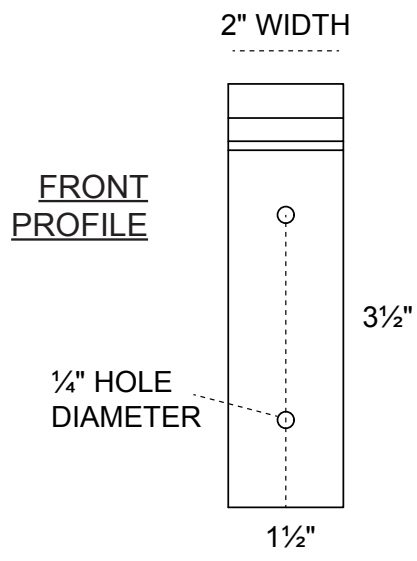
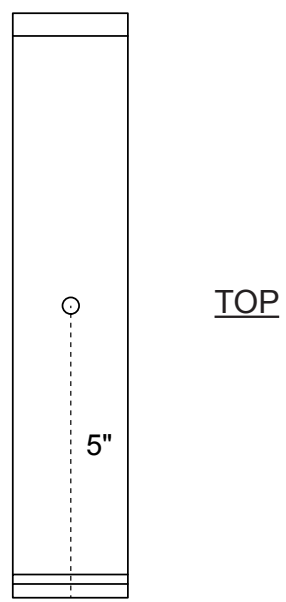


2-INCH W X 10-INCH D X 7¼-INCH H TRUSS SHELF BRACKET



ISOMETRIC PROFILE



HEAVY-DUTY 1/4" THICK

AVAILABLE IN:
STAINLESS STEEL
ZINC PLATED STEEL
POWDER COATED BLACK

BKTM02X10X07TSSS
BKTM02X10X07TSCRS
BKTM02X10X07TSPBL

P:866.607.0453 | F: 866.591.3143
2300 W. Main St. | Clarksville, TX 75426
sales@ekenamillwork.com | www.ekenamillwork.com

